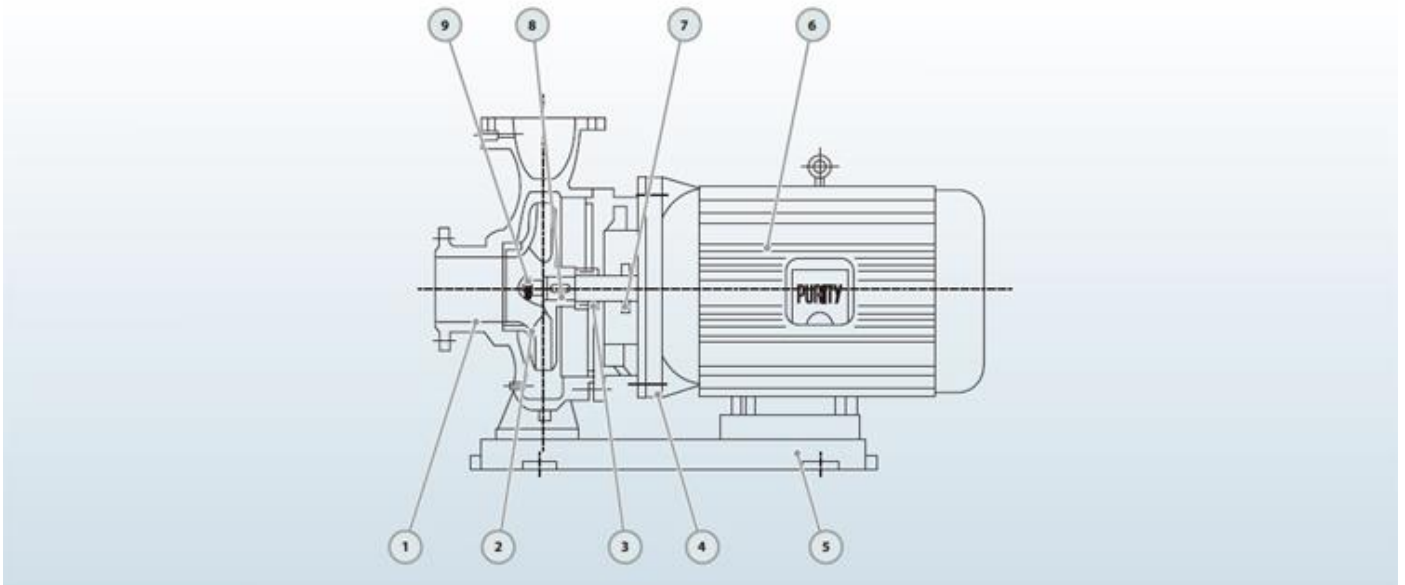


Material Description



No.	Description	Material	No.	Description	Material	No.	Description	Material
1	Pump Case	Cast iron	4	Connection	Cast iron	7	Water Deflector	Rubber
2	Impeller	SS304/Cast iron	5	Base	Cast iron	8	Shaft	SS304/45# Steel
3	Mechanical Seal	SiC/Carbon/SS304	6	Motor	IP55 Class F	9	Impeller Key	Iron

Models

50HZ n=2900 1/min

Technical parameters :

Type	Flow		Pressure (Mpa)	Power (kw)	speed (r/min)	Pipe diameter (mm)
	L/s	m ³ /h				
XBD3.1/1W-PXT	1	3.6	0.31	2.2	2900	40
XBD5.0/1W-PXT	1	3.6	0.50	4	2900	40
XBD4.7/2W-PXT	2	7.2	0.47	4	2900	40
XBD6.0/2W-PXT	2	7.2	0.60	5.5	2900	40
XBD5.0/3W-PXT	3	10.8	0.50	5.5	2900	40
XBD6.0/3W-PXT	3	10.8	0.60	7.5	2900	40
XBD7.0/3W-PXT	3	10.8	0.70	11	2900	40
XBD5.0/4W-PXT	4	14.4	0.50	7.5	2900	50
XBD6.0/4W-PXT	4	14.4	0.60	11	2900	50
XBD7.4/4W-PXT	4	14.4	0.74	11	2900	50
XBD3.8/5G-PXT	5	18	0.38	5.5	2900	50
XBD7.0/5G-PXT	5	18	0.70	11	2900	65
XBD8.0/5G-PXT	5	18	0.80	15	2900	50
XBD9.5/5G-PXT	5	18	0.95	22	2900	65
XBD3.1/10G-PXT	10	36	0.31	7.5	2900	80
XBD5.0/10G-PXT	10	36	0.50	15	2900	80
XBD5.5/10G-PXT	10	36	0.55	15	2900	80
XBD6.5/10G-PXT	10	36	0.65	18.5	2900	65
XBD8.5/10G-PXT	10	36	0.85	22	2900	80
XBD4.0/20G-PXT	20	72	0.40	15	2900	80
XBD5.0/20G-PXT	20	72	0.50	2	2900	100
XBD6.0/20G-PXT	20	72	0.60	30	2900	100
XBD7.0/20G-PXT	20	72	0.70	30	2900	100
XBD8.5/20G-PXT	20	72	0.85	37	2900	100
XBD9.5/20G-PXT	20	72	0.95	45	2900	100
XBD11.2/20G-PXT	20	72	1.12	55	2900	100
XBD12.5/20G-PXT	20	72	1.25	75	2900	100
XBD4.5/25G-PXT	25	90	0.45	22	2900	100
XBD5.5/25G-PXT	25	90	0.55	30	2900	100
XBD6.5/25G-PXT	25	90	0.65	37	2900	100
XBD8.5/25G-PXT	25	90	0.85	55	2900	125
XBD5.0/30G-PXT	30	108	0.50	30	2900	100
XBD6.0/30G-PXT	30	108	0.60	37	2900	125
XBD7.0/30G-PXT	30	108	0.70	45	2900	125
XBD8.0/30G-PXT	30	108	0.80	55	2900	125
XBD9.0/30G-PXT	30	108	0.90	75	2900	125
XBD10.0/30G-PXG	30	108	1.00	75	2900	125
XBD4.0/40G-PXT	40	144	0.40	.4	2900	150
XBD5.0/40G-PXT	40	144	0.50	45	2900	150
XBD6.0/40G-PXT	40	144	0.60	55	2900	150